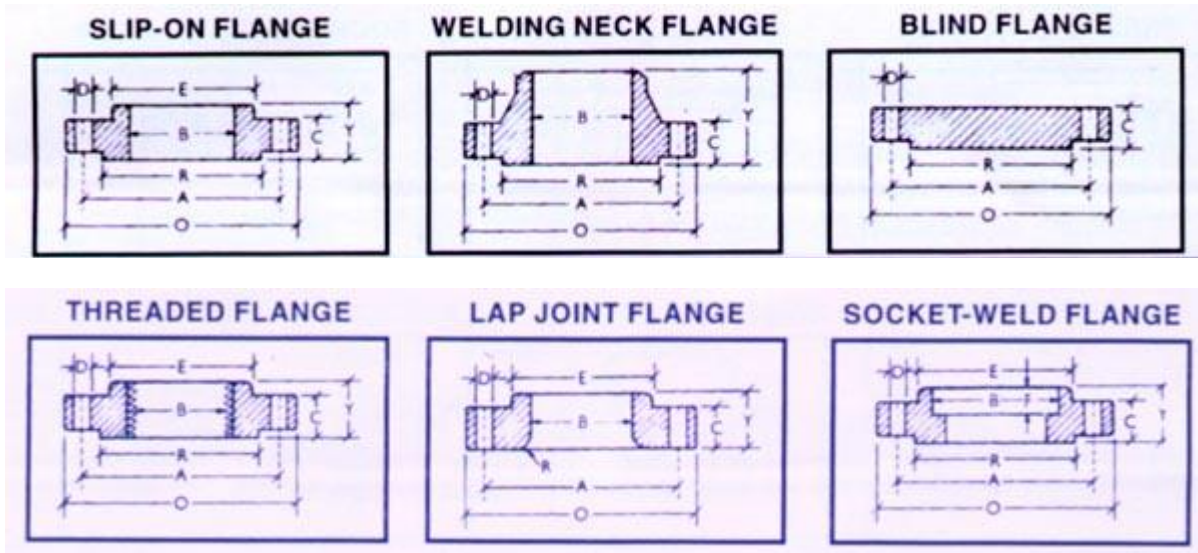




لوجيك للتجهيزات الفنية
Logic Technical Supplies

Dimension of Class 600# Flanges as Per ANSI B 16.5

Size 1/2' TO 24'
 Type WNRF, SORF, BLRF, Threaded
 Dimension ANSI B 16.5
 Material ASTM A182 F(SS304, SS304L, SS316, SS316L, SS316Ti, SS321, SS347, SS347H, ALLOY F1, F5, F11, F22) ASTM A350 (LF1, LF2, LF3) ASTM A105.



NOMINAL PIPE SIZE	FLANGE DIA	Dia of bolt circle	Dia of bolt holes	Noof Holes	Thk of Flange	Dia of Hub	Length through Hub			Dia of Bore		Dia of R/F	Depth of socket
							S/O&S/W	W/N	L/J	S/O&S/W	L/J		
							Y	Y	Y	B	B		
15	95.2	66.7	15.9	4	14.3	38.1	22.2	52.4	22.3	22.3	22.8	34.9	9.5
20	117.5	82.5	19	4	15.9	47.6	25.4	57.1	25.4	27.7	28.1	42.9	11.1
25	123.8	88.9	19	4	17.5	54	27	61.9	26.9	34.5	35	50.8	12.7
32	133.3	98.4	19	4	20.6	63.5	28.6	66.7	28.4	43.2	43.6	63.5	14.2
40	155.6	114.3	22.2	4	22.2	69.8	31.7	69.8	31.7	49.5	50	73	15.8
50	165.1	127	19	8	25.4	84.1	36.5	73	36.5	62	62.4	92.1	17.4
65	190.5	149.2	22.2	8	28.6	100	41.3	79.4	41.1	74.7	75.4	104.8	19
80	209.5	168.3	22.2	8	31.8	117.5	46	82.5	45.9	90.7	91.4	127	___
100	273	215.9	25.4	8	38.1	152.4	54	101.6	53.8	116.1	116.8	157.2	___
125	330.2	266.7	28.6	8	44.4	188.9	60.3	114.3	60.4	143.8	141.5	185.7	___
150	355.6	292.1	28.6	12	47.6	222.2	66.7	117.5	66.5	170.7	171.4	215.9	___
200	419.1	349.2	31.7	12	55.6	273	76.2	133.3	76.2	221.5	222.2	269.9	___
250	508	431.8	34.9	16	63.5	342.9	85.7	152.4	111.2	263	277.3	323.8	___
300	558.8	488.9	34.9	20	66.7	400	92.1	155.6	117.3	327.1	328.1	381	___
350	603.2	527	38.1	20	69.9	431.8	93.7	165.1	127	359.1	360.1	412.7	___
400	685.8	603.2	41.3	20	76.2	495.3	106.4	177.8	139.7	410.5	411.2	469.9	___
450	742.9	654	44.4	20	82.6	546.1	117.5	184.1	152.4	461.8	462.2	533.4	___
500	812.8	723.9	44.4	24	88.9	609.6	127	190.5	165.1	513.1	514.3	584.2	___
600	939.8	838.2	50.8	24	101.6	717.5	139.7	203.2	184.1	615.9	615.9	692.1	___